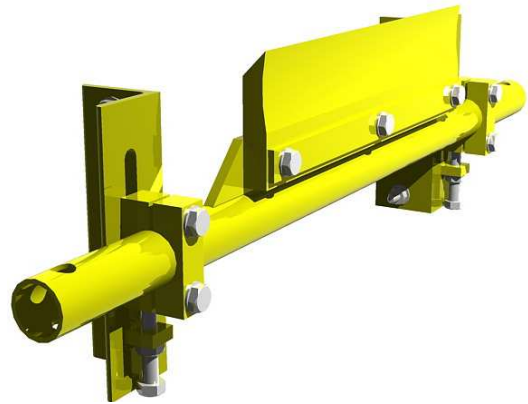


BULKENHANCER Secondliner One-Way Economic Cleaner is a secondary cleaner that cleans the belt by scrapping action. It is located after the primary cleaner right away after the belt leaves head pulley. By using urethane blade, this cleaner scrap remaining fine carryback material. This type of cleaner can be used for the belt speed up to 3.0 m/s, and only serves one directional conveyor.



SPECIFICATION

PART NUMBER : 123-TTTT-X -Z

Max Belt Speed : 3.0 m/s (max)

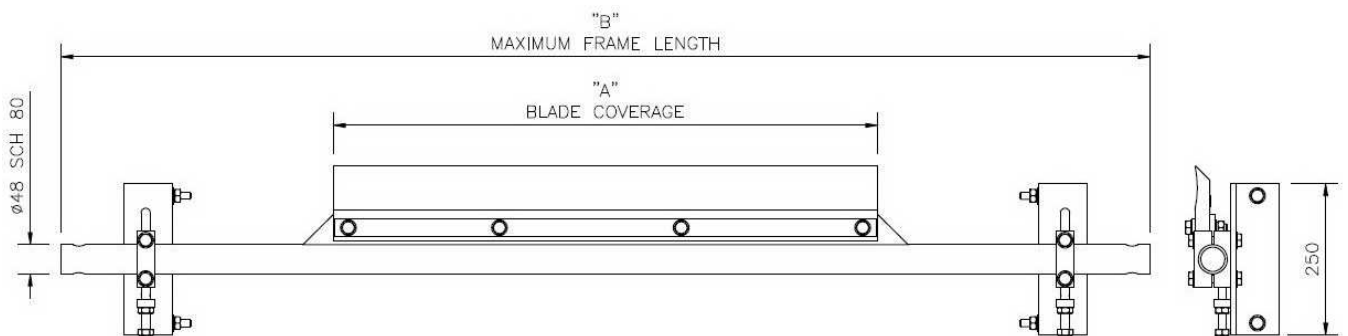
TTTT : Belt Width in mm

Max Temp. : 95 °C (max)

X : Frame material; **M** for Mild Steel, **S** for Stainless Steel

Surface Finish : Powder Coating

Z : Blade coverage; **S** for Shallow, **W** for Wide



| TTTT Code | Belt Width (mm) | Mainframe Length "B" (mm) | Shallow Coverage | Wide Coverage |
|-----------|-----------------|---------------------------|-------------------------|-------------------------|
| | | | Total Coverage "A" (mm) | Total Coverage "A" (mm) |
| 0450 | 450, 500 | 1200 | 300 | 450 |
| 0600 | 600, 650 | 1350 | 450 | 600 |
| 0750 | 750, 800 | 1500 | 600 | 750 |
| 0900 | 900 | 1650 | 750 | 900 |
| 1050 | 1000, 1050 | 1800 | 900 | 1050 |
| 1200 | 1200 | 2100 | 1050 | 1200 |
| 1350 | 1400 | 2250 | 1200 | 1350 |
| 1500 | 1500 | 2400 | 1350 | 1500 |
| 1650 | 1600 | 2550 | 1500 | 1650 |
| 1800 | 1800 | 2850 | 1650 | 1800 |
| 1950 | 2000 | 3000 | 1800 | 1950 |