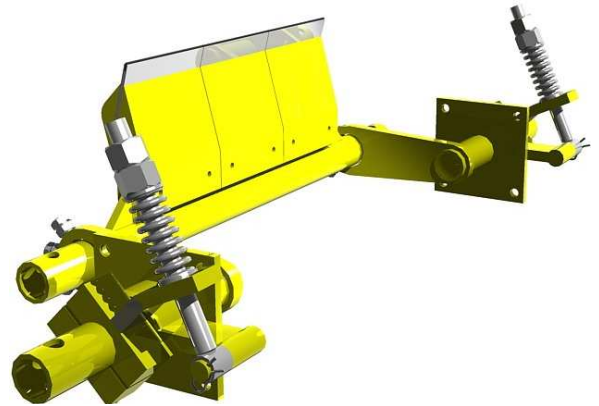


# Bulkenhancer

## TECHNICAL DATA SHEET SECONDLINER ONE-WAY CLEANER C/W RADIAL TENSIONER

**BULKENHANCER Secondliner One-Way Cleaner enclosed with Radial Tensioner** is a secondary cleaner that cleans the belt by scrapping action. It is located after the primary cleaner right away after the belt leaves head pulley. By using belt tungsten carbide tip, this cleaner scrap remaining fine carryback material. This type of cleaner can be used for the belt speed up to 4.5 m/s, and only serves one directional conveyor.

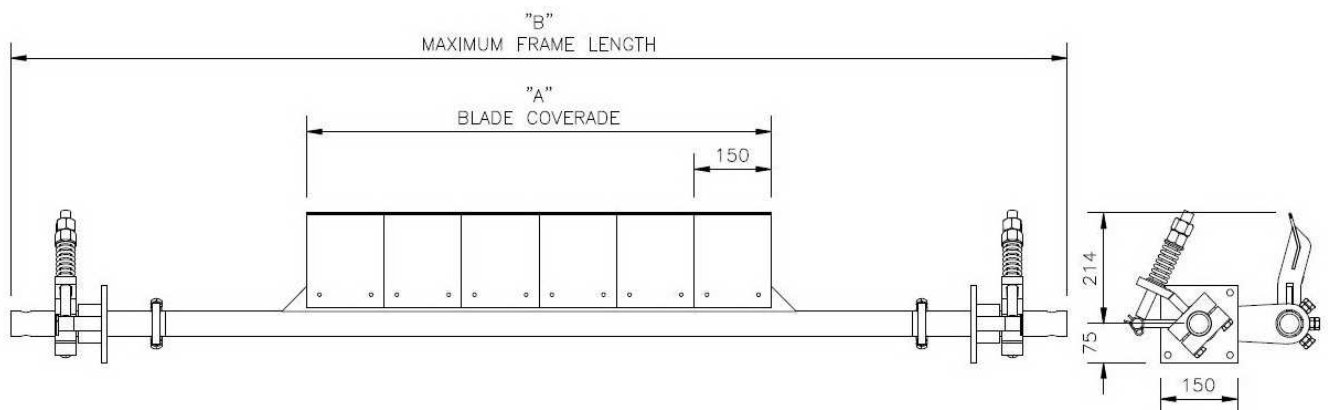


### SPECIFICATION

Max Belt Speed : 4.5 m/s (max)  
Max Temp. : 95 °C (max)  
Surface Finish : Powder Coating

### PART NUMBER : 121-TTTT-VV-X-Y-Z

TTTT : Belt Width in mm  
VV : Blade material; **T1** for Tungsten, **U1** for Urethane  
X : Frame material; **M** for Mild Steel, **S** for Stainless Steel  
Y : Tension system; **S** for Spring, **B** for Bolt Adjuster  
Z : Blade coverage; **S** for Shallow, **W** for Wide



TTTT Code	Belt Width (mm)	Mainframe Length "B" (mm)	Shallow Coverage		Wide Coverage	
			NOB "C"	Total Coverage "A" (mm)	NOB "C"	Total Coverage "A" (mm)
0450	450, 500	1200	2	300	3	450
0600	600, 650	1350	3	450	4	600
0750	750, 800	1500	4	600	5	750
0900	900	1650	5	750	6	900
1050	1000, 1050	1800	6	900	7	1050
1200	1200	2100	7	1050	8	1200
1350	1400	2250	8	1200	9	1350
1500	1500	2400	9	1350	10	1500
1650	1600	2550	10	1500	11	1650
1800	1800	2850	11	1650	12	1800
1950	2000	3000	12	1800	13	1950