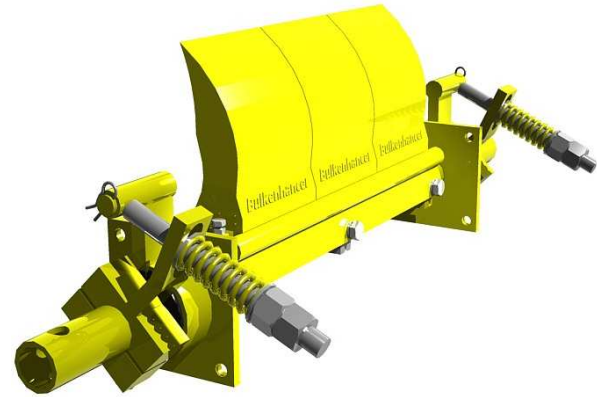


BULKENHANCER Firstliner Cleaner Medium Class is a primary cleaner that cleans the belt by peeling action. It is located on front of head pulley. By using belt friendly urethane tip, this cleaner attack in sharp angle which make cleaning action that remove large portion of the carryback material. This specific type of cleaner can be used for the head pulley's diameter up to 700 mm and belt speed up to 4.5 m/s.

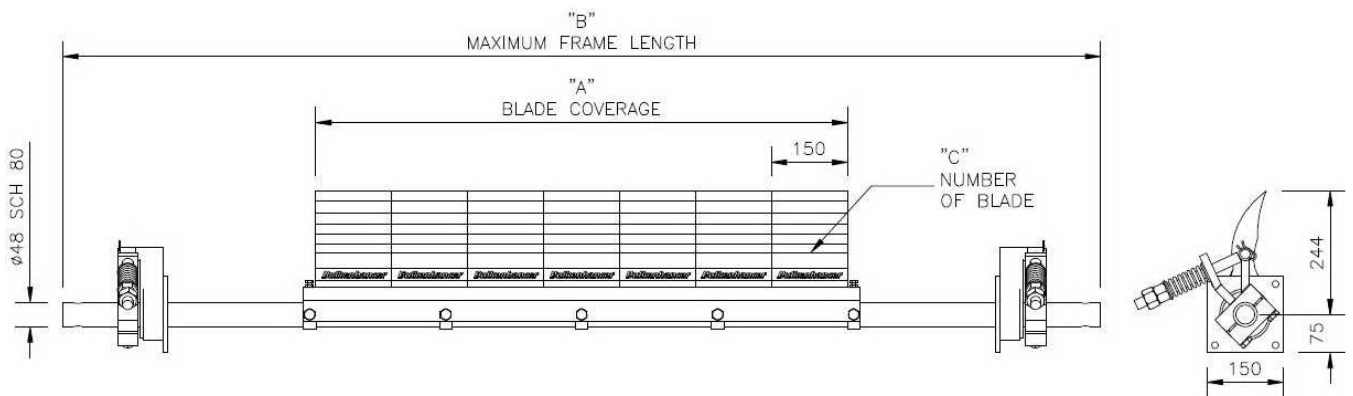


SPECIFICATION

Max Belt Speed : 4.5 m/s
Max Temp. : 95 °C (max)
Pulley Dia. : 300 – 700 mm
Surface Finish : Powder Coating

PART NUMBER : 111-TTTT-U1-X-Y-Z

TTTT : Belt Width in mm
X : Frame material; **M** for Mild Steel, **S** for Stainless Steel
Y : Tension system; **S** for Spring, **C** for Counterweight
Z : Blade coverage; **S** for Shallow, **W** for Wide



TTTT Code	Belt Width (mm)	Mainframe Length "B" (mm)	Shallow Coverage		Wide Coverage	
			NOB "C"	Total Coverage "A" (mm)	NOB "C"	Total Coverage "A" (mm)
0450	450, 500	1200	2	300	3	450
0600	600, 650	1350	3	450	4	600
0750	750, 800	1500	4	600	5	750
0900	900	1650	5	750	6	900
1050	1000, 1050	1800	6	900	7	1050
1200	1200	2100	7	1050	8	1200
1350	1400	2250	8	1200	9	1350
1500	1500	2400	9	1350	10	1500
1650	1600	2550	10	1500	11	1650
1800	1800	2850	11	1650	12	1800
1950	2000	3000	12	1800	13	1950