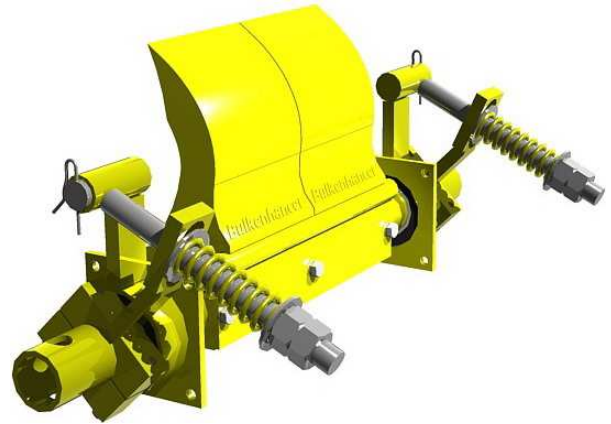


**BULKENHANCER Firstliner Cleaner Large Class** is a primary cleaner that cleans the belt by peeling action. It is located on front of head pulley. By using belt friendly urethane tip, this cleaner attack in sharp angle which make cleaning action that remove large portion of the carryback material. This specific type of cleaner can be used for the head pulley's diameter up to 1200 mm and belt speed up to 7 m/s.

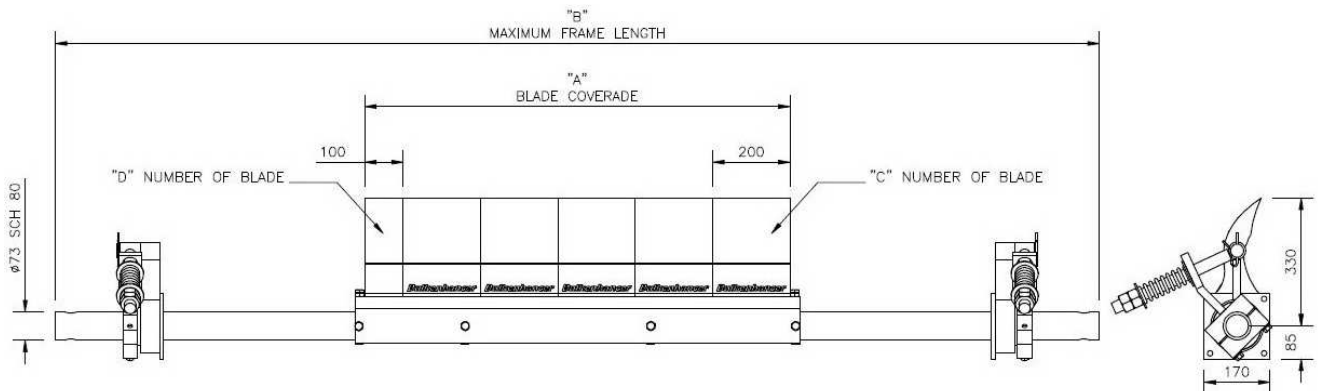


**SPECIFICATION**

Max Belt Speed : 7.0 m/s  
 Max Temp. : 95 °C  
 Pulley Dia. : 400 – 1200 mm  
 Surface Finish : Powder Coating

**PART NUMBER : 112-TTTT-U1-X-Y-Z**

TTTT : Belt Width in mm  
 X : Frame material; **M** for Mild Steel, **S** for Stainless Steel  
 Y : Tension system; **S** for Spring, **T** for Turnbuckle  
 Z : Blade coverage; **S** for Shallow, **W** for Wide



TTTT Code	Belt Width (mm)	Mainframe Length "B" (mm)	Shallow Coverage			Wide Coverage		
			NOB "C"	NOB "D"	Total Coverage "A" (mm)	NOB "C"	NOB "D"	Total Coverage "A" (mm)
0450	450, 500	1200	2	0	400	2	1	500
0600	600, 650	1350	2	1	500	3	0	600
0750	750, 800	1500	3	0	600	3	1	700
0900	900	1650	3	1	700	4	1	900
1050	1000, 1050	1800	4	0	800	5	0	1000
1200	1200	2100	5	0	1000	6	0	1200
1350	1400	2250	6	0	1200	7	0	1400
1500	1500	2400	6	1	1300	7	1	1500
1650	1600	2550	7	0	1400	8	0	1600
1800	1800	2850	8	0	1600	9	0	1800
1950	2000	3000	9	0	1800	10	0	2000